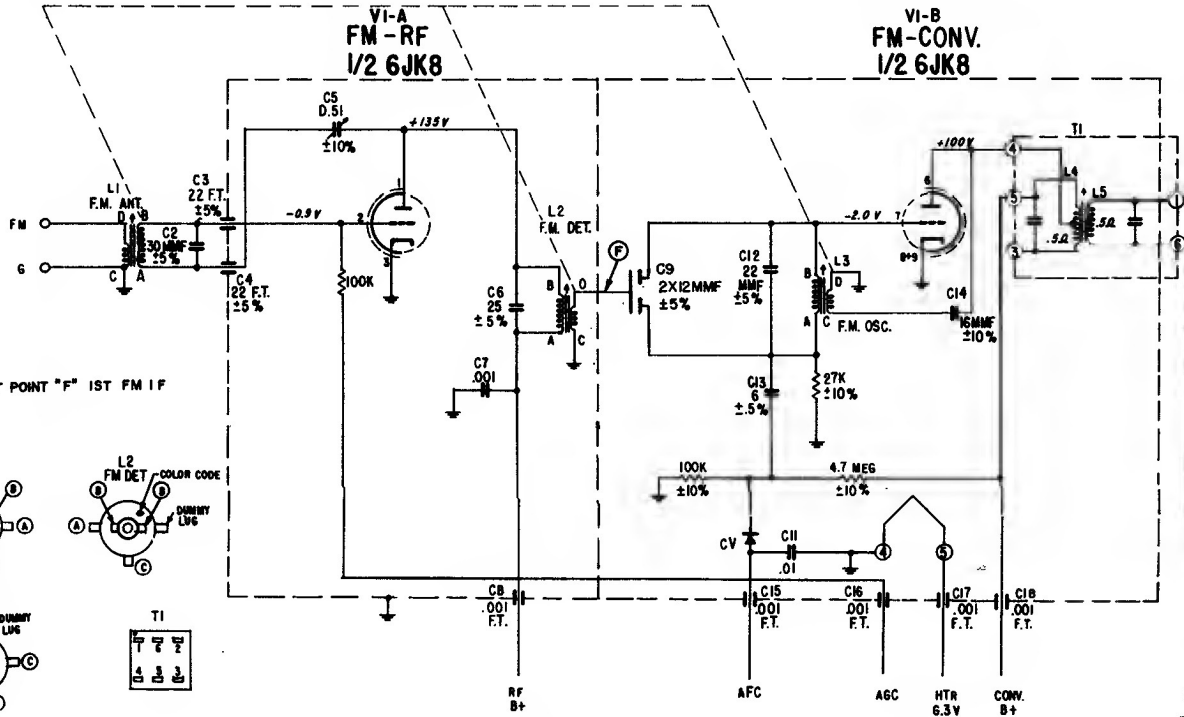


S-61017 AND S-61363 SCHEMATIC FOR FM TUNER USED ON CHASSIS 9L20 AND 11L8T25.



ZENITH 4L21 SCHEMATIC FOR MODELS ST1971, MT1971, ST1981, MT1981, ML2786 AND 7200. AUDIO OUTPUT SPEAKER TERMINAL STRIP

